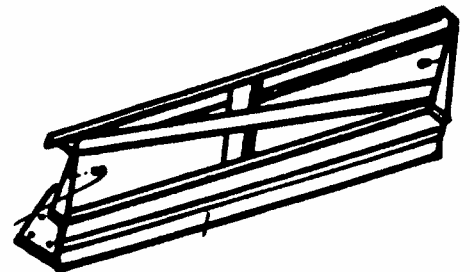
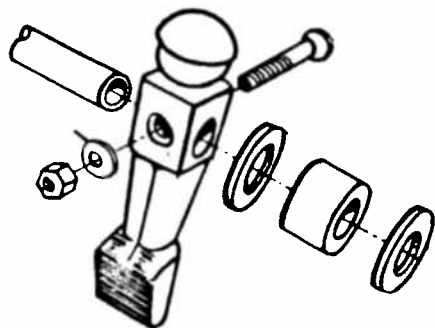
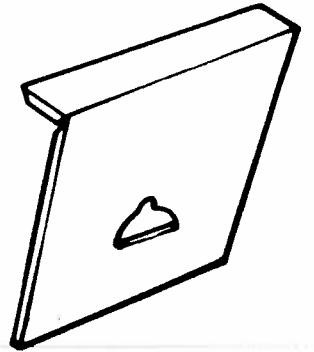
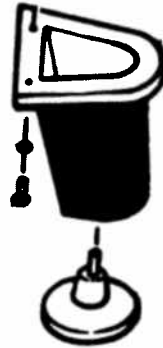
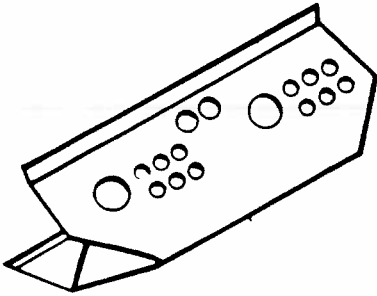
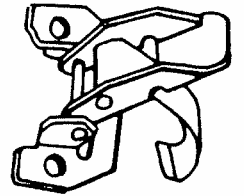
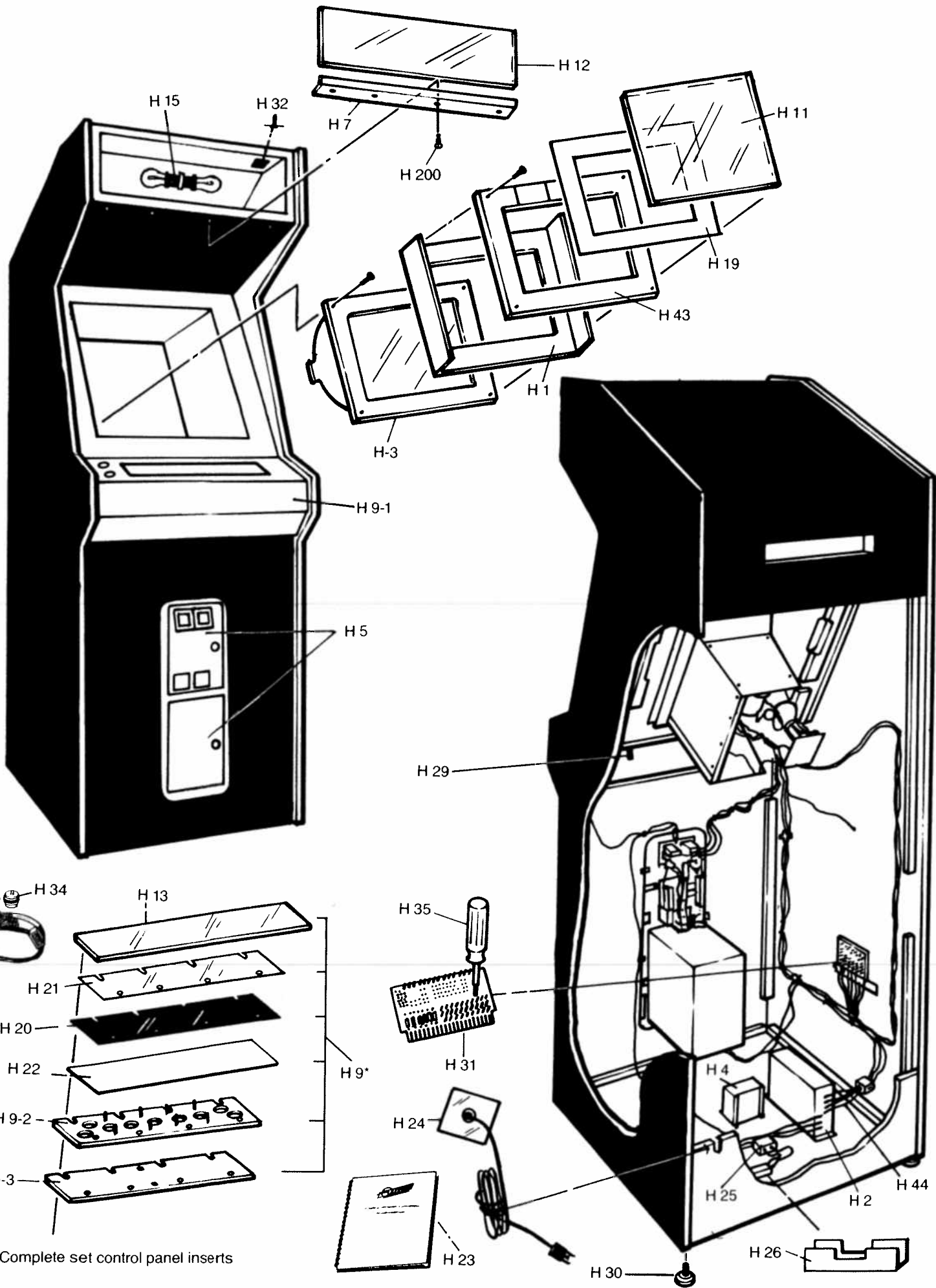


PARTS



VIDEO HARDWARE SYSTEM



*H 9-Complete set control panel inserts

DRAWER ASSEMBLY
EFFECTIVE 8-30-89

730300200	Wire Harness, Power Supply
730300300	Wire Harness, Main
730300500	Wire Harness, 36" Jamma c/p
*801501500	Panel, Control HS-5 Pattern D
990001300	Assembly, Power Supply
*991500101	Assembly, Drawer HS-5 Slant Drawer
*861500100	Cover Co-Poly Control Panel
860301600	Button, One Man
860301700	Button, Two Man

* Subject to change depending on type drawer

HS-2

*801100800	Panel Control HS-1 & HS-2
*991200100	Assembly Drawer HS-2
*861100600	Cover, Co-Poly 8 X 23 5/8

HS-4

*801400900	Panel Control HS-4
*991400100	Assembly Drawer HS-4
*861400200	Cover, Co-Poly

D Y N A M O C O R P O R A T I O N
 D I S T R I B U T O R P A R T S / P R I C E L I S T
 E F F E C T I V E 8 / 2 2 / 8 9

PAGE

VIDEO PARTS

ITEM	DYNAMO DESCRIPTION	GENERAL DESCRIPTION	U/M	CL	PRICE
010500220	WIRE HARNESS, JAMMA GENERIC		EA	61	7.75
020300100	MONITOR, BOX OPTION	SLAVE MONITOR	EA	61	
021600100	HS-6, RECTANGULAR TOP		EA	61	
021600200	HS-6, SQUARE TOP		EA	61	
021600300	HS-6, ROUND TOP		EA	61	
021600400	HS-6, PEDESTAL		EA	61	
030000200	PCB, SOLDER INTERFACE		EA	61	7.00
030000300	PCB, 25" DEFLECTION W/NECK BRD		EA	61	240.00
030000400	PCB, 19" DEFLECTION W/NECK BRD		EA	61	240.00
030000700	BUSHING, RLLR 81-007 3/4X1 3/32		EA	61	1.50
030300100	BOX, WHT PLSTC COIN 20-4177-00		EA	61	8.50
031100100	BOARD, PC (INTERFACE NON JAMMA)		EA	61	25.00
031100200	TOOL, WIRE INSTALLATION		EA	61	14.95
031100300	BOARD, PC (INTERFACE JAMMA)		EA	61	26.60
730300200	WIRE HARNESS, POWER SUPPLY		EA	61	8.00
730300300	WIRE HARNESS, MAIN		EA	61	11.00
730300400	WIRE HARNESS, AC SIDEWALL		EA	61	5.75
730300500	WIRE HARNESS, 36" JAMMA C/P	GENERIC	EA	61	10.75
730300600	WIRE HARNESS, AUDIO/VIDEO EXT		EA	61	5.25
730300800	WIRE HARNESS, 26" JAMMA C/P		EA	61	10.25
730301200	WIRE HARNESS, POWER CORD EXT		EA	61	3.50
731600100	WIRE HARNESS, MAIN HS6		EA	61	30.00
731600200	WIRE HARNESS SIDEWALL HS 6		EA	61	8.50
731600400	ASSY, POWER CORD W/PLATE HS-6		EA	61	13.75
731602900	W H, CTRL PNL UNIV&JOY HS-6		EA	61	15.00
731603500	WIRE HARNESS, CTRL PNL 2 1/4 TB		EA	61	14.25

Prices subject to change without notification.

D Y N A M O C O R P O R A T I O N
 DISTRIBUTOR PARTS/PRICE LIST
 EFFECTIVE 8/22/89

UNIDED PARTS

ITEM -----	DYNAMO DESCRIPTION -----	GENERAL DESCRIPTION -----	U/M ---	CL --	PRICE -----
731603600	WIRE HARNESS, CTRL PNL 3" TB		EA	61	15.50
800300300	PLATE, ON/OFF		EA	61	2.50
800301500	PLATE, LATCH		EA	61	1.50
800302600		INSERT FLAT W/ STUD	EA	61	
800700100	PANEL, CTRL PATTERN J		EA	61	27.00
800800100	PANEL, CTRL HS1 PATTERN E		EA	61	13.50
800801000	PANEL, CTRL HS1 PATTERN H	SNK IKARI III	EA	61	27.00
800801100	PANEL, CTRL HS5 PATTERN H	SNK IKARI III	EA	61	32.00
801100600	BRACKET, MARQUE		EA	61	4.00
801100800	PANEL, CTRL HS1&2 PATTERN A	NEW UNIV. OVERSIZED CNTL/PNL	EA	61	30.00
801300200	PANEL, CTRL HS3 PATTERN B		EA	61	30.00
801400700	TRIM, LEFT		FT	61	5.00
801400800	TRIM, RIGHT		FT	61	5.00
801400900	PANEL, CTRL HS4 PATTERN C	NEW HS4 CNTL/PNL	EA	61	35.00
801401300	KICK, FRONT		EA	61	8.00
801501500	PANEL, CTRL HS5 PATTERN D	NEW HS5 CNTL/PNL	EA	61	33.50
801600100		BRACKET, GLASS	EA	61	
801600900	PANEL, CTRL (JOYSTICK VERSION)	HS-6	EA	61	17.00
801601100		BASE, MONITOR	EA	61	
801601300		SUPPORT, MONITOR BASE	EA	61	
801601600	CHUTE, COIN		EA	61	4.60
801601700		PANEL, CONTROL 2 1/4 "TRACKBALL	EA	61	
801601800		PANEL CONTROL 3" TRACKBALL HS6	EA	61	
801602000		PANEL CONTROL W/ OUT LXN COVER	EA	61	
850800900	COVER, 3 1/4 X 24"		EA	61	1.20
851100700	CARD, MONITOR 23 3/4 X 23 3/4		EA	61	6.75

Prices subject to change without notification.

D Y N A M O C O R P O R A T I O N
 DISTRIBUTOR PARTS/PRICE LIST
 EFFECTIVE 8/22/89

COEO PARTS

ITEM	DYNAMO DESCRIPTION	GENERAL DESCRIPTION	U/M	CL	PRICE
----	-----	-----	---	--	-----
851101000	BEZEL, HS1 HS2		EA	61	3.00
851400700	CARD, MONITOR		EA	61	8.50
851401200	BEZEL, HS4		EA	61	6.00
851500200	BEZEL, MONITOR		EA	61	6.00
860300100	EDGE, 3/4 BLK POLY T NS EXT1754		FT	61	.10
860300300	WRAP, CTRL PNL RED 18X24 1/2	HS-1 WRAP	EA	61	11.00
860300500	ANGL, .075X 3/4X 3/4X 106" BLK		EA	61	3.00
860301600	BUTTON, ONE PLAYER 53-8010-01		EA	61	2.00
860301700	BUTTON, TWO PLAYER 53-8010-02		EA	61	2.00
861100100		INSERT, CTRL PANEL (BLK LEXAN)	EA	61	
861100200		INSERT, CTRL PANEL (CLR LEXAN)	EA	61	
861100600	COVER, CO-POLY 8 X 23 5/8" (A)		EA	61	9.00
861100800	FLX MNTR 23 11/16X23 11/16	HS-1 MONITOR PLEXI	EA	61	9.00
861400100	COVER, LEXAN HR8N 12 X 30	HS-4 GRAY OVER-LAY	EA	61	3.00
861400200	COVER, CO-POLY 10 X 29 1/2 (C)		EA	61	9.00
861500100	COVER, CO-POLY 8 X 25 5/8" (D)		EA	61	11.00
861500200	WRAP, PANEL BLUE 18 X 24 1/2		EA	61	15.00
861600200		COVER, CO-POLY HS-6	EA	61	
861600300	COVER, LEXAN GRAY		EA	61	5.00
870001154	SMS, #6 X 5/8" FN PH ZN		EA	61	.05
870001205	SMS, #8 X 3/4" FN PH ZN		EA	61	.10
870001255	SMS, #10 X 3/4" FN PH ZN		EA	61	.05
870002154	SMS, #6 X 5/8" FN PH BO		EA	61	.05
870003205	SMS, #8 X 3/4" TR PH ZN		EA	61	.10
870004205	SMS, #8 X 3/4" TR PH BO		EA	61	.10
870009207	CB, #10-24 X 1' TR ZN		EA	61	.15

Prices subject to change without notification.

D Y N A M O C O R P O R A T I O N
D I S T R I B U T O R P A R T S / P R I C E L I S T
E F F E C T I V E 3 / 2 2 / 8 9

ODED PARTS

ITEM	DYNAMO DESCRIPTION	GENERAL DESCRIPTION	U/M	CL	PRICE
870010205	CB, #10-24 X 3/4" TR BO		EA	61	.06
870010207	CB, #10-24 X 1" TR BO		EA	61	.15
870010208	CB, #10-24 X 1 1/4" TR BO		EA	61	.70
870010213	CB, #10 X 2 1/2" TR BO		EA	61	.15
870011303	WS, 1/4-20 X 1/2" FN PH ZN		EA	61	.01
870028208	WS, #8 X 1 1/4" FL PH ZN		EA	61	.05
870050102	WASHER, FLAT #8 SAE ZN		EA	61	.02
870050103	WASHER, FLAT #10 ZN		EA	61	.02
870050105	WASHER, FLAT 1/4-20		EA	61	.02
870052103	NUT, KEP #10-24 HX ZN		EA	61	.05
870052105	NUT, KEP 1/4-20 HX ZN		EA	61	.06
870053105	NUT, 1/4-20 HX ZN		EA	61	.05
870054107	NUT, T 3/8-16 ZN		EA	61	.15
870300100	NUT, PAL #12055		EA	61	.10
880300400	FILTER, AC LINE		EA	61	8.00
880300600	SPEAKER, 5" 7 AMP 8H F12 F05		EA	61	2.50
880300800	MONITOR, 19" FRONT Y32K7611		EA	61	315.00
880301000	TRANSFORMER 3P37		EA	61	20.34
880301100	HOUSING, COIN (10-1399-09)		EA	61	38.00
880301400	SWITCH, ON/OFF UL 4631822		EA	61	2.00
880301900	MONITOR, 25" Y17J25K7111 FRONT		EA	61	400.00
880302700	POWER SUPPLY, 11 AMPS		EA	61	40.00
880303200	HOUSING, COIN (10-1399-0906)		EA	61	38.00
880401600	SWITCH, MICRO #91-1116-11		EA	61	5.00
890000152	CHUTE, COIN .25 R/O		EA	61	34.00
890300100	LEVELER, LEG VIDEO #331517		ST	61	3.00

Prices subject to change without notification.

D Y N A M O C O R P O R A T I O N
 DISTRIBUTOR PARTS/PRICE LIST
 EFFECTIVE 8/22/89

DEQ PARTS

ITEM -----	DYNAMO DESCRIPTION -----	GENERAL DESCRIPTION -----	U/M ---	CL --	PRICE -----
890300200	LATCH, HR1 ZN	CONTROL PANEL LATCH	EA	61	1.25
911400100	GLASS, TMP 1/4X29 15/16X29 15/16	HS-4	EA	61	50.00
911500100	GLASS, TEMP 1/4X25 3/4X25 3/4	HS-5	EA	61	17.00
911600100	GLASS, CLEAR TMP 1/4 X 24 X 34	HS-6	EA	61	46.75
911600200	GLASS, TMP 1/4X 23 7/8 X 27 5/8	HS-6	EA	61	39.75
960000525	CLEAT, 5 1/4"		EA	61	
960001200	CLEAT, 12"		EA	61	
960000400	BLOCK, PCB 3/4 X 1 X 1"		EA	61	2.00
961102000	SUPPORT, MONITOR CARD		EA	61	15.00
961405600	SUPPORT, MONITOR CARD 25" HS4		EA	61	15.00
961700400	PANEL, CONTROL M	HS-7	EA	61	6.00
990001300	ASSY, POWER SUPPLY		EA	61	86.00
990201374	ASSY, MOUNTING BOARD		EA	61	
991200100	ASSY, DRAWER HS-2		EA	61	200.00
991400100	ASSY, DRAWER HS-4		EA	61	
991500101	ASSY, DRAWER-HS5 SLNT DRWR		EA	61	